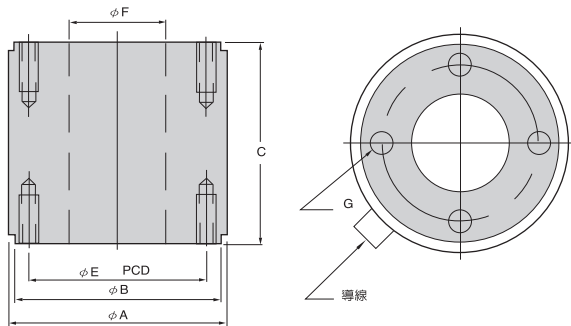


# LCH LOAD CELL

LCH荷重元系專為壓入或退出力量量測而設計之荷重元，採用圓柱型直壓式結構，體積小、剛性強、結構穩固，一體成形設計，簡潔美觀，堅固耐用。非常適用於壓入力量量測上，具有以下之特點：

LCH Load Cell is special designed for press in and out force measurement. It is spherical construction, small size and rigid. One part design simple and good shape, strong and durable. It is ideal for used in fitting force control.

**Compression only**



## Specification

額定輸出 Rated Output	.....	1mV/V
總和誤差 Total Error	.....	0.5%R.O.
重現性 Repeatability	.....	0.2%R.O.
潛變 Creep	.....	0.05%/20min
輸入阻抗 Input Resistance	.....	800 $\pm$ 50 $\Omega$
輸出阻抗 Output Resistance	.....	700 $\pm$ 10 $\Omega$
最大輸入電壓 Max. Excitation Voltage	.....	20V
建議輸入電壓 Recommended Excitation Voltage	.....	10V
溫度被償範圍 Compensated Temp. Range	.....	-10~50 $^{\circ}$ C
使用範圍 Safe Temp. Range	.....	-20~70 $^{\circ}$ C
溫度對零點之影響 Temp. Effect on Zero Balance	.....	0.05%/10 $^{\circ}$ C
溫度對額定輸出之影響 Temp. Effect on Rated Output	.....	0.03%/10 $^{\circ}$ C
零點誤差 Zero Balance	.....	$\pm$ 3%R.O.
容許負荷 Safe Overload Rating	.....	150%
導線長度 Cable Length	.....	3m
接線方式 Cable Connection	.....	Input: Red(+), Black(-) Output: Green(+), White(-)