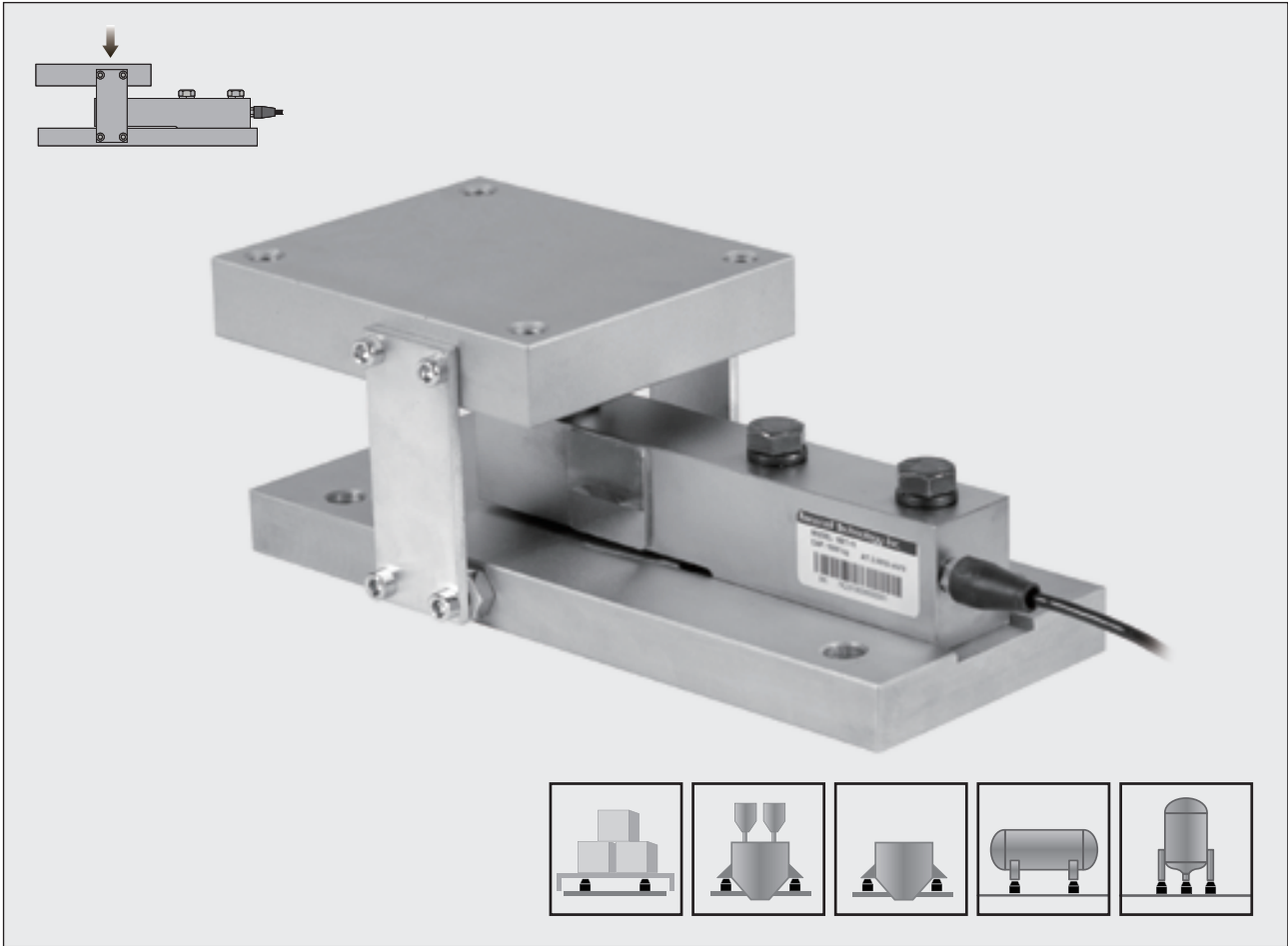


## Type SB/SBT Module

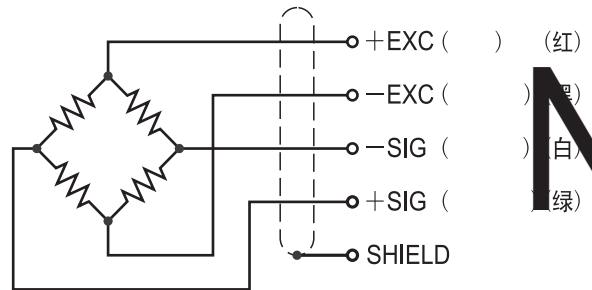


### Features

- Alloy steel construction throughout
- SB/SBT (single ended shear beam load cell) installed
- Suitable for floor scales, blending & mixing systems and batching systems, etc.

### Schematic

- Red : input
- Black : input
- Green : output
- White : output



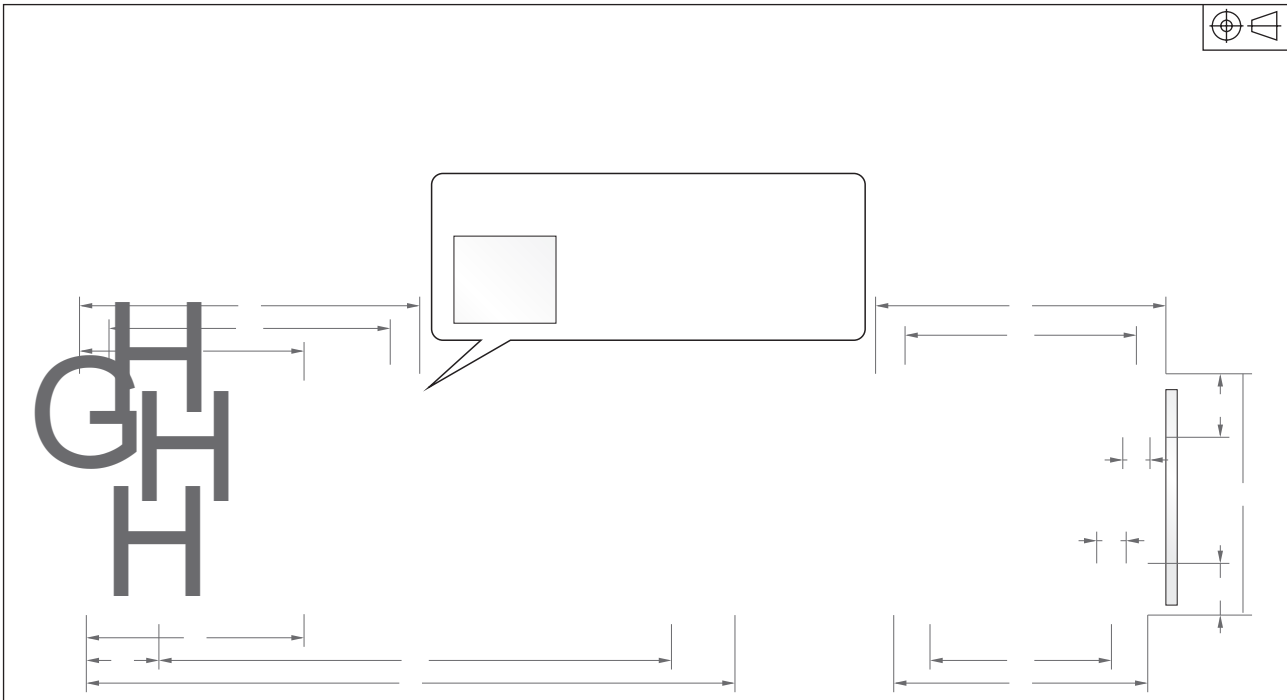
### Capacities

- SBT 500kg, 1000kg, 2000kg, 3000kg, 5000kg
- SB 10000kg

Weighing Modules

SB/SBT

## Dimensions



Capacity/量程		A	A1	B	B1	L	L1	L2	C	C1	H	H1	H2	T	W	G	P
0.5t ~ 3t	mm	150	124	128	102	286	32	226	112	80	106.4	28	22.8	99	96	4-M12	4×Ø13
5t	mm	178	146	152	120	317.5	32	257	152	102	133	38	30	102	100.5	4-M16	4×Ø17
10t	mm	184	152	154	122	360	32	295	154	106	173	45	45	108	105	4-M20	4×Ø21

## Specification

Rated Output		2.0mV/V ±0.1%
Zero Balance		±1% of rated output
Creep after 30 minutes		±0.03% of rated output
Nonlinearity		±0.03% of rated output
Hysteresis		±0.03% of rated output
Repeatability		±0.03% of rated output
Temp. effect on output		0.002% of applied output
Temp. effect on zero		0.002% of rated output
Safe Temp. Range		-10 to + 70
Temp. Compensated		-10 to + 40
Safe Overload		150%
Input Impedance		387 ohm ± 20 ohm
Output Impedance		350 ohm ± 5 ohm
Insulation Resistance		5000 M ohm (50V DC)
Rated Excitation		10V DC/AC
Maximum Excitation		15V DC/AC
Cable Length		
Cable Color Code		... (+ E) Black(-E) Green(+ S) White ...