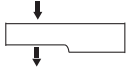


SBSB

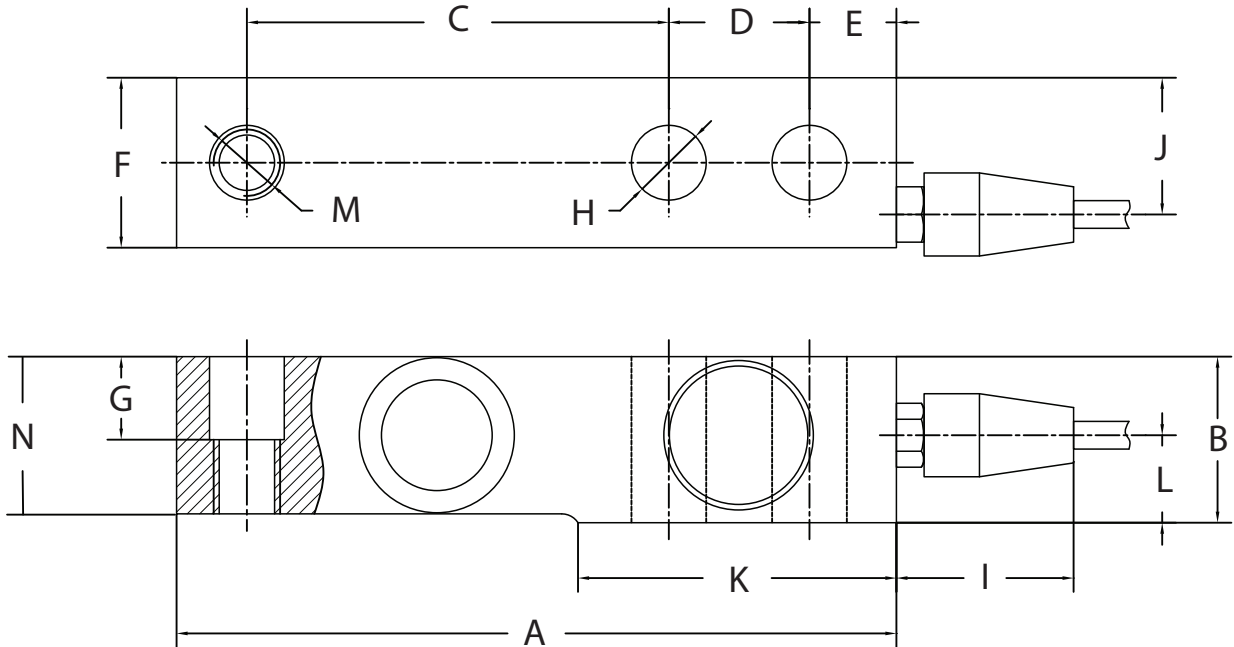


Features

- Single Ended Shear Beam Load Cell
- Stainless Steel
- Easy to Install, Stable & Reliable
- Suitable for Floor Scales, Blending & Mixing Systems, Belt Scales and Package Systems, etc.
- Rated up to IP68
- Hermetically Sealed
- Equivalent to: HBM B35 & HBM H35
- Interchangeable models:
 - * Vishay Celtron SQB SS
 - * Vishay Sensortronics 65023S
 - * Vishay Revere Transducers 9123
 - * Rice Lake Weighing Systems RL39123

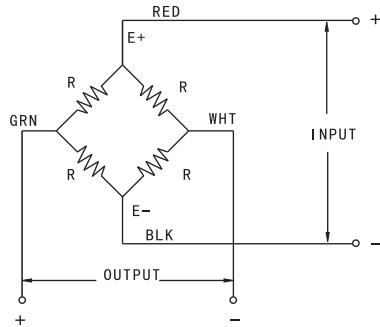
Dimensions

Capacity		A	B	C	D	E	F	G	H	I	J	K	L	M	N
1,000 - 5,000 lb	in	5.12	1.18	3.00	1.00	0.62	1.21	0.59	0.53	1.26	0.97	2.26	0.62	1/2"-20 UNF	1.12
	mm	130.0	30.0	76.2	25.4	15.7	30.7	15.0	13.5	32.0	24.7	57.5	15.8		28.4
10,000 lb	in	6.75	1.44	3.75	1.50	0.75	1.44	0.69	0.78	1.26	1.25	3.00	0.74	3/4"-16 UNF	1.34
	mm	171.5	36.5	95.3	38.1	19.1	36.5	17.5	19.8	32.0	31.7	76.2	18.7		34.0



Schematic

Red: + excitation
 Black: - excitation
 Green: + signal
 White: - signal



Capacities / Model

1,000 lb	SBSB-1K
2,500 lb	SBSB-2.5K
4,000 lb	SBSB-4K
5,000 lb	SBSB-5K/SE
10,000 lb	SBSB-10K

Specifications

Rated Output	3.0mV/V \pm 0.1%
Zero Balance	\pm 1% of rated output
Creep after 30 minutes	\pm 0.02% of rated output
Nonlinearity	\pm 0.02% of rated output
Hysteresis	\pm 0.02% of rated output
Repeatability	\pm 0.02% of rated output
Temp. effect on output	\leq 0.002% of applied output/ $^{\circ}$ C
Temp. effect on zero	\leq 0.002% of rated output/ $^{\circ}$ C
Safe Temp. Range	-10 $^{\circ}$ C to + 70 $^{\circ}$ C
Temp. Compensated	-10 $^{\circ}$ C to + 50 $^{\circ}$ C
Safe Overload	150%
Input Impedance	387 ohm \pm 5 ohm
Output Impedance	350 ohm \pm 3 ohm
Insulation Resistance	\geq 5000 M ohm (50V DC)
Rated Excitation	10V DC/AC
Maximum Excitation	15V DC/AC
Cable Length	20 ft (6.1 m)
Cable Color Code	Red(+E) Black(-E) Green(+S) White(-S)