

Drehzahlsensoren ■ Speed Sensors

1 Kanal HallID M18 Familie ■ 1 Channel HallID M18 Type

Kurzdaten



Data summary

Power supply	10 ... 36 V DC
Frequency range	0.5 ... 20,000 Hz
Operating temperature	-40 ... +260°F
Degree of protection	IP67

Anwendung

-
-
-

Applications

- Speed detection of gearwheels with small module and high resolution.
- Applications in vehicles, mobile operating machines and in hydraulic drives
- Installation dimension DIN M18

Merkmale

-
-
-

Features

- Detection up to 20,000 Hz
- huge airgap
- Stainless steel

■ Technical Data Sheet

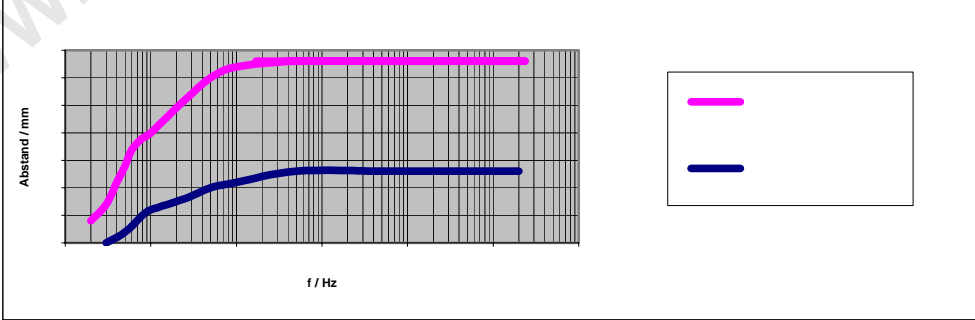


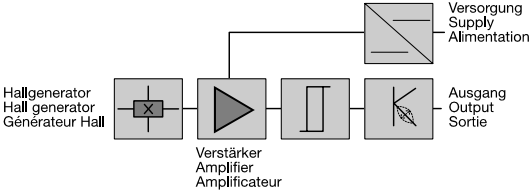
Typenübersicht ■ Type Overview

Typ Type	Gehäuse Housing	Anschluss Connection	Ausgang Output
		Cable, 4x0.75mm ² , TPE, 2000mm	
		Cable, 4x0.75mm ² , TPE, 2000mm	
		Connector M12	
		Connector M12	
		Cable, 4x0.75mm ² , TPE, 540mm, with connector SS4P	
		Cable, 4x0.75mm ² , TPE, 5500mm	

Lieferumfang Scope of supply	Sensor, fixing nuts (see drawings)
--	------------------------------------

Einbau ■ Mounting

Schalt- / Einbauabstand Air gap	3.3 mm @ 1KHz; M2 basis: involute gear
Einbauart Mounting principle	DIN type thread
Anzugsmoment Tightening torque	20 Nm
Biegeradius Anschlusskabel Bending radius of connection cable	50 mm
Gehäusewerkstoff Housing material	<p>SDN2.GP06.E2 SDP2.GP06.E2 SDN2.GP06.SB SDP2.GP06.SB SDP2.GR16.08 SDP2.GR16.E55</p> <p style="text-align: right;">Stainless Steel Brass</p>
Maßzeichnungen Installation drawings	See page 5
Maximaler Einbauabstand bezogen auf Modul und Arbeitsfrequenz Maximum air gap related to pitch and working frequency	

Prinzipschaltbild Circuit diagram	
Versorgung Power supply	10 ... 36 V DC
Stromaufnahme Current consumption	<20 mA


■ Technical Data Sheet



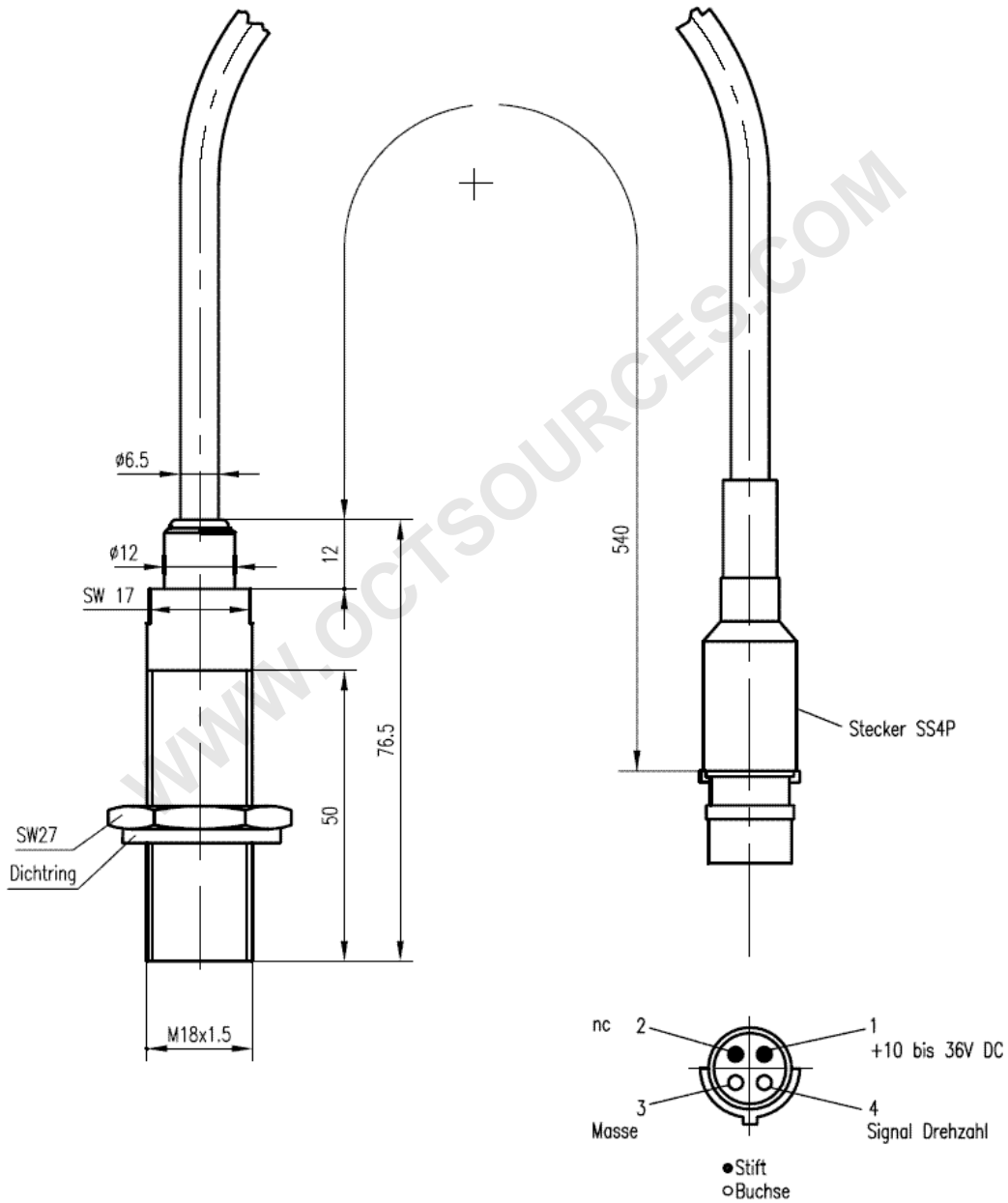
Elektrische Daten ■ Electrical Specification (Fortsetzung ■ Continued)

Anschlussschaltbild (NPN) Electrical connection (NPN)	
Frequenzbereich Frequency range	0.5 ... 20,000 Hz
Max. Ausgangsstrom Maximum output current	
Ausgangssignalpegel Output signal level	\leq \geq Low: $\leq 2\text{ V}$; High: $\geq U_b - 2\text{V}$
Kurzschlussfest Short circuit immunity	against all terminals
Verpolungsschutz Reverse polarity protection	against all terminals
Berechnung der maximalen Last Calculation of maximum load	$R_L = U_b / I_{\max}$
Anschlussbelegung SDN2.GP06.E2, SDP2.GP06.E2 und SDP2.GR16.E55 . Terminal connection SDN2.GP06.E2, SDP2.GR16.E55 and SDP2.GP06.E2	brown: +8 ... 36 VDC black: signal blue: ground white: not connected
Anschlussbelegung SDN2.GP06.SB und SDP2.GP06.SB Terminal connection SDN2.GP06.SB and SDP2.GP06.SB	1: = VDC 2: = signal 3: = ground 4: = nc
Anschlussbelegung SDP2.GR16.08 Terminal connection SDP2.GR16.08	1: +8 ... 36 VDC 2: nc 3: ground 4: signal

Einsatzbedingungen ■ *Environmental conditions*

Betriebstemperaturbereich <i>Operating temperature range</i>	-40° ... +260°F
Druckfestigkeit der Messfläche <i>Max. pressure on sensing surface</i>	20 bar
Schutzart (IEC 529) <i>Degree of protection (IEC 529)</i>	IP67 suitable connector plugged
Vibration (IEC 68-2-6, IEC 68-2-26) <i>Vibration resistance (IEC 68-2-6, IEC 68-2-26)</i>	15g @ 1...2,000Hz
Schock (IEC 68-2-27) <i>Shock resistance (IEC 68-2-27)</i>	30g @ 11ms
EMV Normen <i>EMC Standards</i>	
Zulassungen / Baumusterprüfung <i>Approvals / Classifications</i>	 <i>Declaration of Conformity available on request.</i>

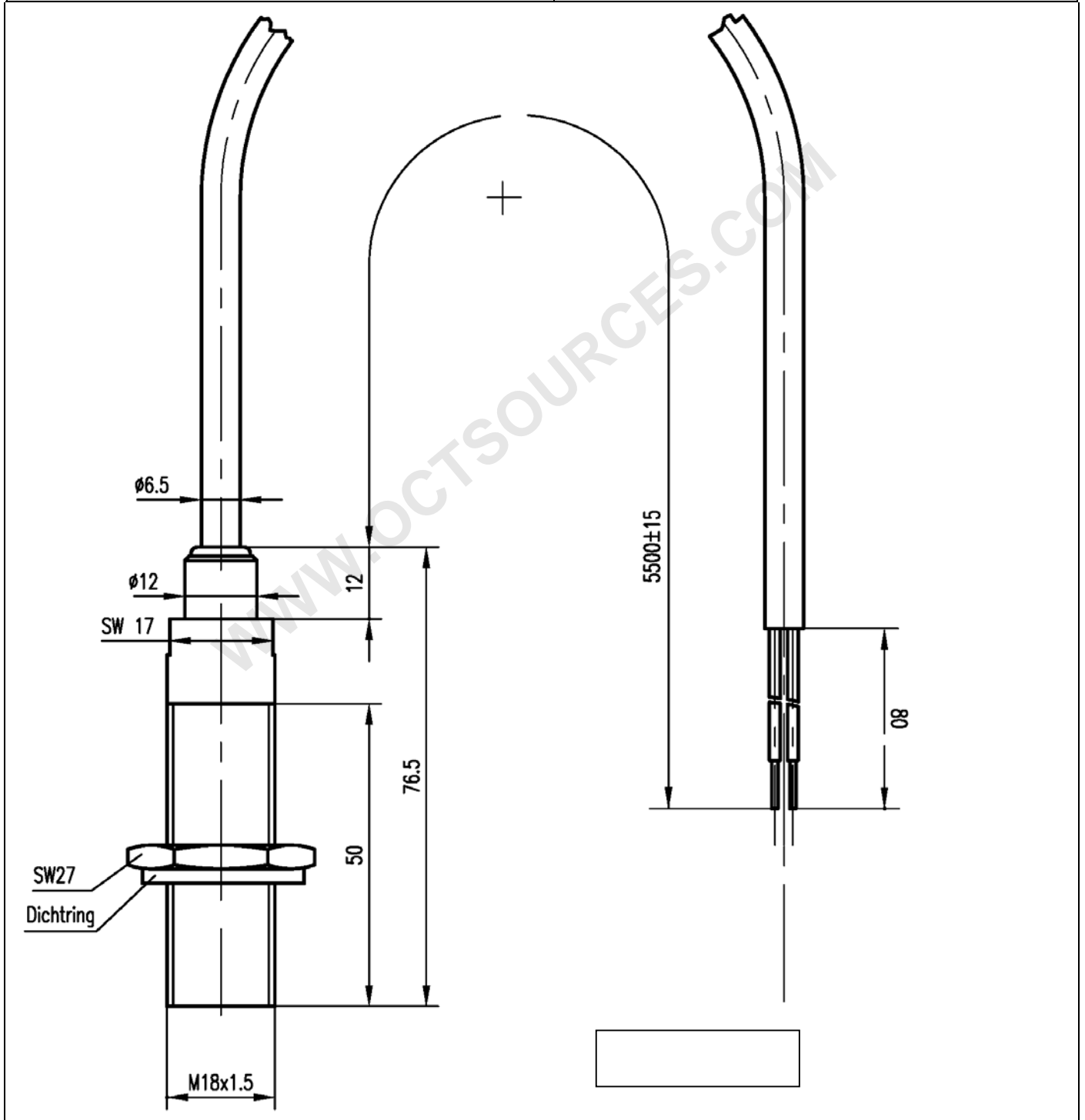
Zeichnungen ■ Drawings



Art.-Nr. SDP2.GR16.08

Zeichnungen ■ Drawings

(Fortsetzung ■ Continued)



■ *Technical Data Sheet*



ings

(Fortsetzung ■ *Continued*)

SW27

18x1

WWW.OCTSOURCES.COM